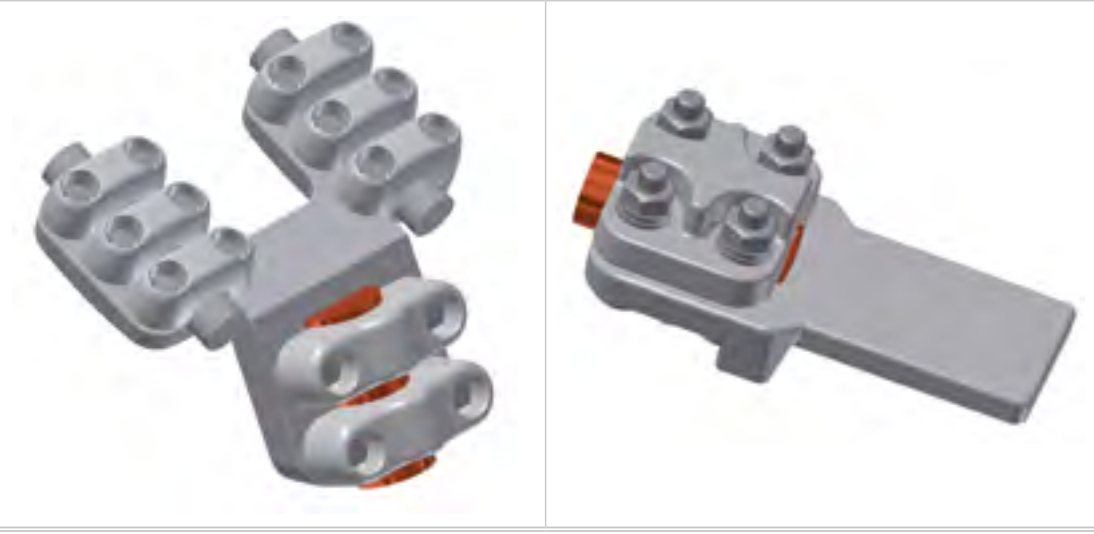




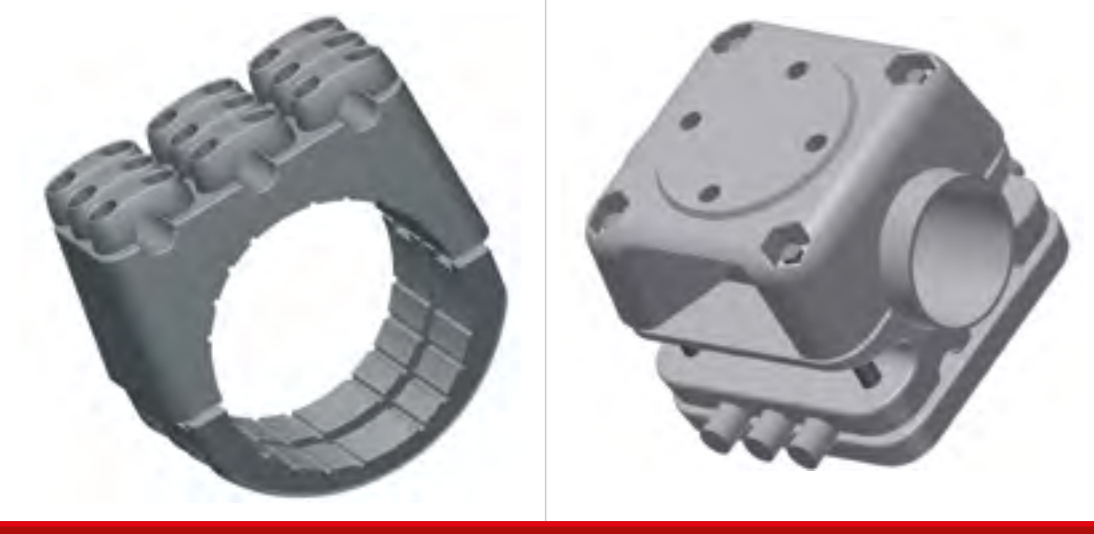
Clamps for Bolts

- Clamps straight, bolted and compressioned
- Clamps straight and bolted
- 45° Clamps bolted
- 90° Clamps straight bolted and compressioned
- T-Clamps bolted
- Clamps straight bolted; T-connectors bolted
- Flat Terminals bolted
- Expansion Couplers



Clamps for Circular Basements

- Al Clamps, T-Clamps for ACSR conductor and base plate
- Al Clamps straight, T-Clamps for Al tube and Al, Cu base plate
- Al Clamps straight, T-Clamps for Al tube and ACSR conductor and base plate
- Al Clamps Straight for Al tube and Cu (Al) base plate
- Al Clamps support for Al tube and base plate
- Al Expansion Clamps for Al tube and base plate
- Al Compressioned Eyes
- Al Clamps compressioned



T-Clamps

- T-Clamps for single conductor
- T-Clamps for bundle conductor
- T-Clamps for Al and ACSR conductor
- T-Clamps for double conductor
- T-Clamps for bundled conductor
- Connecting Clamps for Al tube and ACSR conductor
- Connecting Clevis Clamps



Flat Clamps

- Flat Clamps straight for ACSR and Al conductors
- 45° Flat Clamps for ACSR conductors
- 90° Flat Clamps for ACSR conductors
- 90° Flat Clamps for Al tube
- 90° Flat Clamps flexible for Al tube
- Flat Clamps for Al tube sliding and ACSR conductor straight or T
- Support Clamps for ACSR conductor
- Connecting Clamps straight for connection of ACSR/Al strip for connection of Cu conductor/Cu strip



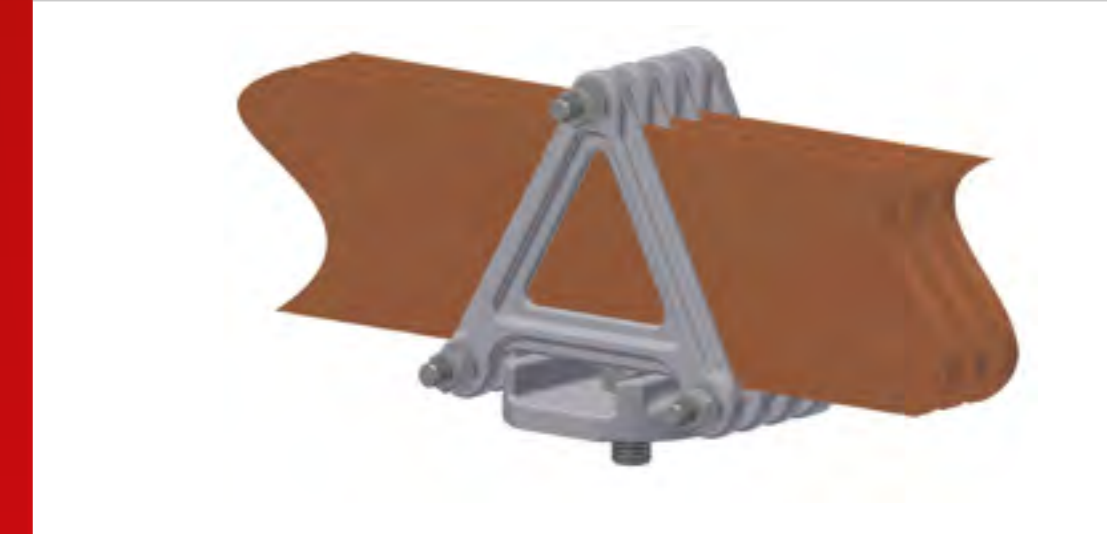
Earthing Point Spacers

- Earthing points
- Earthing bolts
- Spacers



Fixing Components

- Vertical fixing components for Cu and Al conductors fixed
- Vertical fixing components for Cu and Al conductors sliding
- Horizontal fixing components for Cu and Al conductors fixed
- Horizontal fixing components for Cu and Al conductors sliding
- Fixing components for „U“ profile conductors terminal and supporting
- Fixing Clamps for Al and Cu compound conductors
- Fixing clamps for cables



Various Equipment

- Transient parts
- Flexible interconnection of Al tubes
- Al tube seals
- Supporting parts